

# ActivBoard 300 Range

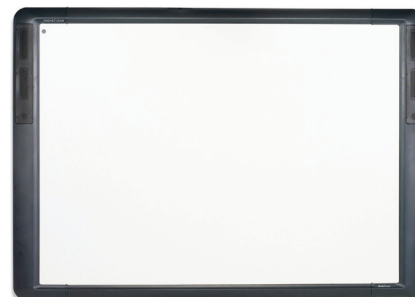
## Product Specifications

### INTERACTIVE WHITEBOARD

The Promethean ActivBoard is designed by teachers, for teachers to transform the classroom into a truly interactive learning environment. The ActivBoard 300 comes with an ActivPen (Teacher) that writes like a pen with the added functionality of a mouse, access to ActivInspire Professional Edition, support for additional USB devices and is available in three sizes including widescreen. Optional upgrades are available for wireless connectivity to the computer, Dual-User functionality and integrated USB sound.

### GENERAL SPECIFICATIONS

<b>Internal Resolution</b>	2730 points (lines) per inch
<b>Output Resolution</b>	200 points (lines) per inch
<b>Tracking Rate</b>	200 inches per second providing a fast response to pen commands
<b>Output Rate</b>	120 coordinate pairs per second
<b>User Input</b>	Cordless battery-free pen incorporating tip switch and side switch for full mouse functionality (ActivPen) ActivPen (Teacher): 167mm x 20mm x 23mm (6.57in x .79in x .91in) Pen weight: 25g (0.9oz) Optional ActivWand 50 for extended reach
<b>Digitizing Technology</b>	Passive electromagnetic interface encased behind robust melamine for technical reliability and durability
<b>Screen Surface</b>	Low glare melamine providing an efficient projection surface
<b>Certifications</b>	UL, CE, FCC
<b>Operating Temperature</b>	0C to +50C (14F to 122F)
<b>Storage Temperature</b>	-20°C - 70°C (-4°F - 158°F); Humidity (non condensing) 0% - 90%
<b>Power Requirement</b>	USB powered device
<b>Connection to Computer</b>	USB with supplied 5m (16ft) USB cable; wirelessly with the ActivHub 2.4 GHz inserted in computer (wireless connection requires use of power supply unit); Optional Wireless Upgrade Pack 100/300 available
<b>Connection to Peripherals</b>	2 x USB ports -- one on the top and one on the side; ActivHub can be used in top port to communicate wirelessly via 2.4 GHz radio frequency with all Promethean peripherals (ActivSlate, ActivExpression, ActiVote); either port can be used to connect any USB peripheral freeing up USB ports on computer
<b>Dual-User Functionality</b>	Optional ActivArena 50 upgrade pack
<b>Sound Options</b>	Optional Speakers and Amp Upgrade Pack for ActivBoard 300, ActivBoard+2 systems
<b>Mounting Options</b>	Wall mounting brackets are included; can be included with ActivBoard+2 Fixed or Adjustable systems



### ACTIVBOARD SPECIFICATIONS

Model	ActivBoard 378	ActivBoard 387	ActivBoard 395
ActivBoard Size	78in	87in	95in
Resolution	12800 x 9200	14600 x 9200	17200 x 9200
Screen Formats	4:3	16:10	16:9
Overall Dimensions	1868mm x 1329mm (73.5in x 52.3in)	2105mm x 1329mm (82.9in x 52.3in)	2412mm x 1329mm (95in x 52in)
Active Area Dimensions	1628mm x 1175mm (64in x 46in)	1865mm x 1175mm (73in x 46in)	2172mm x 1175mm (86in x 46in)
Active Area Diagonal	2000mm (78.7in)	2196mm (86.5in)	2462mm (96.9in)
Actual Image Diagonal (4:3)	1958mm (77.1in)	2193mm (86.4in)	2397mm (94.4in)
Board Weight	24.5kg (54lb)	27kg (60lb)	31kg (68lb)
Packed Weight	39.5kg (87lb)	44.5kg (98lb)	50kg (110lb)
Packed Dimensions	2010mm x 1480mm x 120mm ((79.1in x 58.3in x 4.7in)	1563mm x 1282mm x 120mm (88.2in x 58.3in x 4.7in)	2545mm x 1480mm x 120mm (100.2in x 58.3in x 4.7in)
Packed Contents List	ActivBoard 378, 2 ActivPens (Teacher), 5m (16ft) USB cable, wall mounting brackets, Installation Guide (includes safety guidelines) Access to ActivInspire Professional Edition* via download from Promethean Planet (DVD optional and by special order)	ActivBoard 387, 2 ActivPens (Teacher), 5m (16ft) USB cable, wall mounting brackets, Installation Guide (includes safety guidelines) Access to ActivInspire Professional Edition* via download from Promethean Planet (DVD optional and by special order)	ActivBoard 395, 2 ActivPens (Teacher), 5m (16ft) USB cable, wall mounting brackets, Installation Guide (includes safety guidelines) Access to ActivInspire Professional Edition* via download from Promethean Planet (DVD optional and by special order)

### RECOMMENDED COMPUTER REQUIREMENTS

Operating Systems	Windows Vista, XP; MAC OS 10.4.11 and above, Linux Ubuntu 8.04
Installation	Operation of the ActivBoard 300 requires installation of the driver included with the ActivInspire Professional Edition software. Specifications and access for ActivInspire Professional Edition* are located on Promethean Planet at <a href="http://www.prometheanplanet.com/ActivInspire">www.prometheanplanet.com/ActivInspire</a> . User with administrator/privileged access rights required to install driver and software

\*ActivStudio or ActivPrimary to be included with ActivBoard shipped to the following countries: Czech Republic, Greece, Hungary, Indonesia, Japan, Malaysia, Malta, Poland, Romania and Slovenia

Page 2

©2009 Promethean Ltd. All Rights Reserved. ActivBoard is a trademark of Promethean Ltd. [www.prometheanworld.com](http://www.prometheanworld.com) Product Specifications are subject to change without notice. 06/09

### UPGRADE AND ACCESSORY OPTIONS

---

**ActivArena 50 Upgrade Pack**

Allows 2 users to work on the ActivBoard simultaneously (includes 2 Teacher ActivPens, 2 Student ActivPens, ActivArena Resources CD, ActivArena paper license, and ActivArena Quick Start Guide)

---

**Wireless Upgrade Pack 100/300**

Allows the ActivBoard 300 to connect to the computer wirelessly; includes an ActivHub (2.4 GHz), PSU (power supply unit) and Quick Start Guide

---

**Speakers and Amp Upgrade Pack**

Includes two slim line speakers to be inserted in ActivBoard frame; Amplifier (with controls, inputs and outputs), Amp PSU (power supply unit) and Installation Guide (on-site installation); Computer sound is delivered through USB connection

---

**ActivWand 50**

Wireless, battery free and extended reach input device for the ActivBoard – 540mm (21.2in) in length; “left click”, cursor and hover, just like a mouse

---

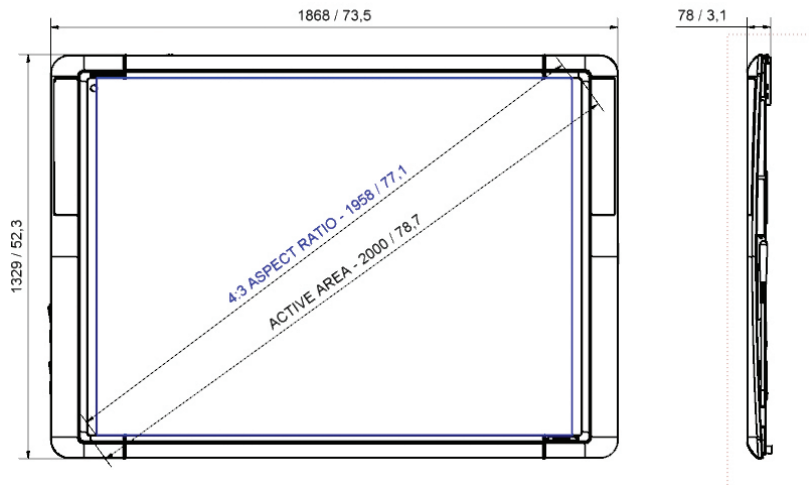
### STANDARD WARRANTY AND SUPPORT

**ActivBoard 300 Range**

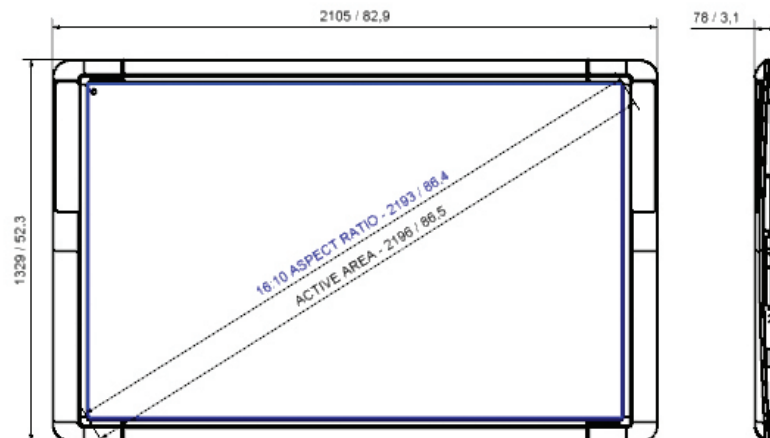
Three Year (Return-To-Base)  
Knowledgebase: [www.prometheankb.com](http://www.prometheankb.com)

### TECHNICAL DRAWING SPECIFICATIONS

ActivBoard 378



ActivBoard 387



ActivBoard 395

